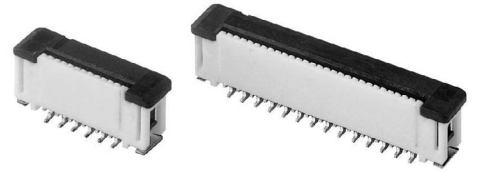


# ZIF Slide-locking Connector (0.5-mm Pitch)

# XF2J

## Top-entry ZIF Connector

- Low on-board profile of only 4.15 mm.
- Vacuum contact surface on top of the connector for automatic mounting.
- Models with reverse terminal arrangement also available.
- Applicable FPC thickness of 0.3 mm.



## ■ Ratings and Specifications

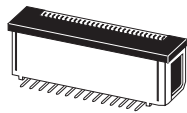
<b>Rated current</b>	0.5 A AC/DC
<b>Rated voltage</b>	50 V AC/DC
<b>Contact resistance</b>	30 mΩ max. (at 20 mV max., 100 mA max.)
<b>Insulation resistance</b>	100 MΩ min. (at 250 V DC)
<b>Withstand voltage</b>	250 V AC for 1 min. (leakage current: 1 mA max.)
<b>Insertion tolerance</b>	30 times
<b>Ambient operating temperature</b>	-30 to 85°C (with no icing or condensation)

## ■ Materials and Finish

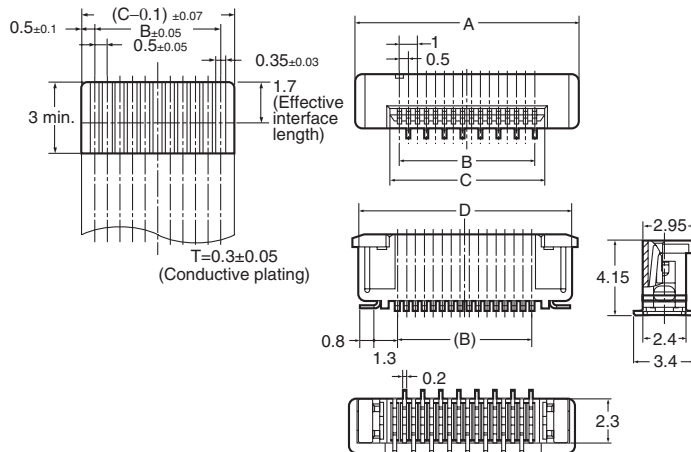
<b>Housing</b>	PA46 resin (UL94V-0)/natural
<b>Slider</b>	PPS resin (UL94V-0)/black LCP resin (UL94V-0)/black
<b>Contacts</b>	Spring copper alloy/nickel substrate (2 μm), gold-plated contacts (0.15 μm)
<b>Hold-down</b>	Spring copper alloy/fused-tin plating (1.5 μm)

## ■ Dimensions

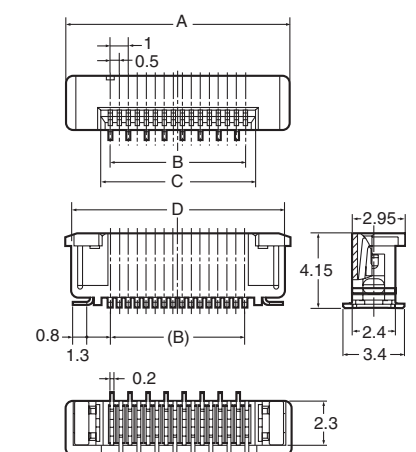
XF2J-□□24-1□□



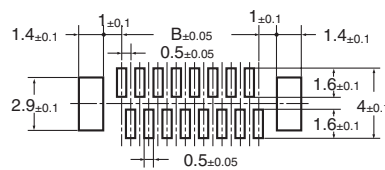
Applicable FPC Dimensions Standard Terminal Arrangement



Reverse Terminal Arrangement



PCB Mating Dimensions (Top View)



PCB Mating Dimensions (Top View)

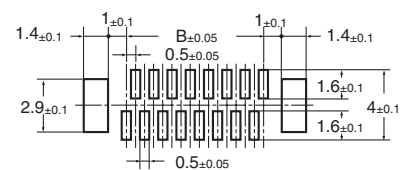


Table of Dimensions

Pins (See note 2.)	Model (See note 1.)		A	B	C	D
	Standard Terminal Arrangement	Reverse Terminal Arrangement				
6	XF2J-0624-11□	XF2J-0624-12□	7.5	2.5	3.6	6.9
8	XF2J-0824-11□	XF2J-0824-12□	8.5	3.5	4.6	7.9
10	XF2J-1024-11□	XF2J-1024-12□	9.5	4.5	5.6	8.9
12	XF2J-1224-11□	XF2J-1224-12□	10.5	5.5	6.6	9.9
14	XF2J-1424-11□	---	11.5	6.5	7.6	10.9
16	XF2J-1624-11□	XF2J-1624-12□	12.5	7.5	8.6	11.9
18	XF2J-1824-11□	XF2J-1824-12□	13.5	8.5	9.6	12.9
20	XF2J-2024-11□	XF2J-2024-12□	14.5	9.5	10.6	13.9
22	XF2J-2224-11□	XF2J-2224-12□	15.5	10.5	11.6	14.9
24	XF2J-2424-11□	XF2J-2424-12□	16.5	11.5	12.6	15.9
26	XF2J-2624-11□	---	17.5	12.5	13.6	16.9
28	XF2J-2824-11□	---	18.5	13.5	14.6	17.9
30	XF2J-3024-11□	---	19.5	14.5	15.6	18.9

## ■ Ordering Information

Pins (See note 2.)	Model (See note 1.)		Quantity per reel (See note 3.)
	Standard Terminal Arrangement	Reverse Terminal Arrangement	
6	XF2J-0624-11□	XF2J-0624-12□	1,000
8	XF2J-0824-11□	XF2J-0824-12□	
10	XF2J-1024-11□	XF2J-1024-12□	
12	XF2J-1224-11□	XF2J-1224-12□	
14	XF2J-1424-11□	---	
16	XF2J-1624-11□	XF2J-1624-12□	
18	XF2J-1824-11□	XF2J-1824-12□	
20	XF2J-2024-11□	XF2J-2024-12□	
22	XF2J-2224-11□	XF2J-2224-12□	
24	XF2J-2424-11□	XF2J-2424-12□	
26	XF2J-2624-11□	---	
28	XF2J-2824-11□	---	
30	XF2J-3024-11□	---	

**Note: 1.** The symbol in the box at the end of the model number indicates the type of plating.

A: Gold-plated (RoHS compliant).

2. Consult your OMRON representative for inquiries related to pin number specifications.
3. Order an integer multiple of the quantity per reel.
4. Consult your OMRON representative for inquiries about lead-free tin solder.
5. Solder plating (specified by -11 or -12 at the end of the model number) will end production March 2006.

### RoHS Compliance and Pin Number Specifications

Refer to the following website for the latest information. <http://www.omron.co.jp/ecb/>